

AFP VetTek™ Imaging Systems

From Analog to Digital. We've Got You Covered.



The New Standard in Generator Design.

The AFP VetTek Table Systems

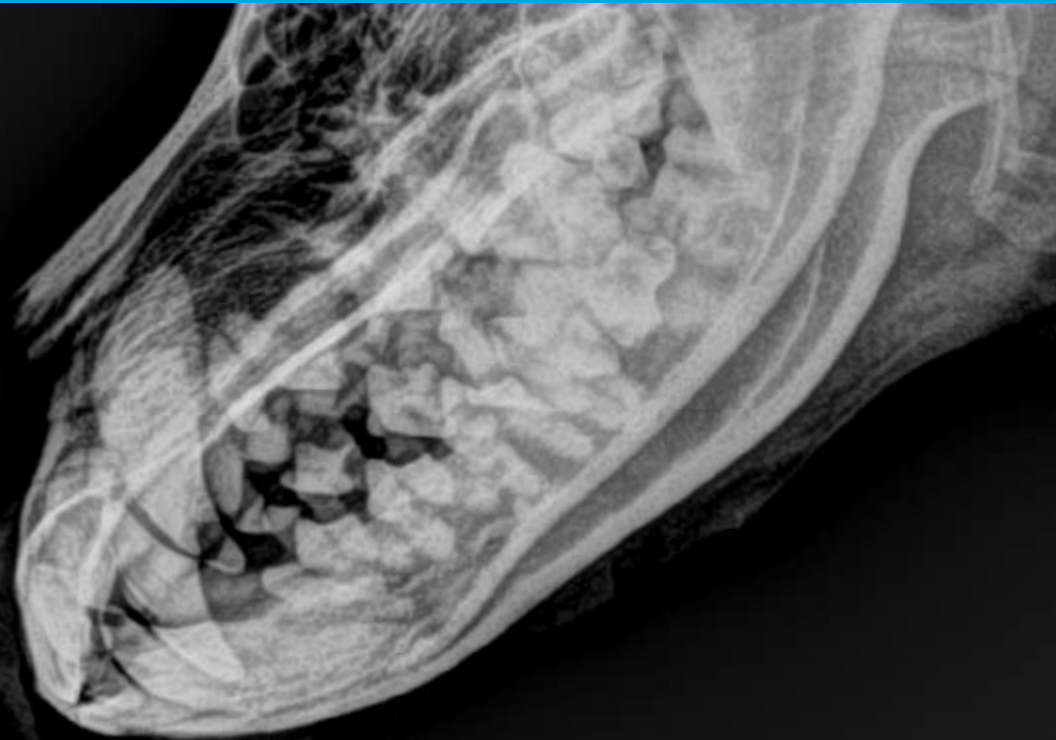
The VetTek veterinary radiographic systems are an excellent choice for veterinary hospitals and clinics. A variety of product options are available to serve the diverse needs of all veterinary x-ray suites.

The integrated system with either fixed or four-way float top table, offers the most most-effective solution. This provides an easy, effortless and hygienic procedure, for both practitioners and patients in a clinical environment.

An optional ceiling suspended tube support with an integrated x-ray control and elevating table are some of the unique new answers as to how veterinary x-ray rooms can be created.



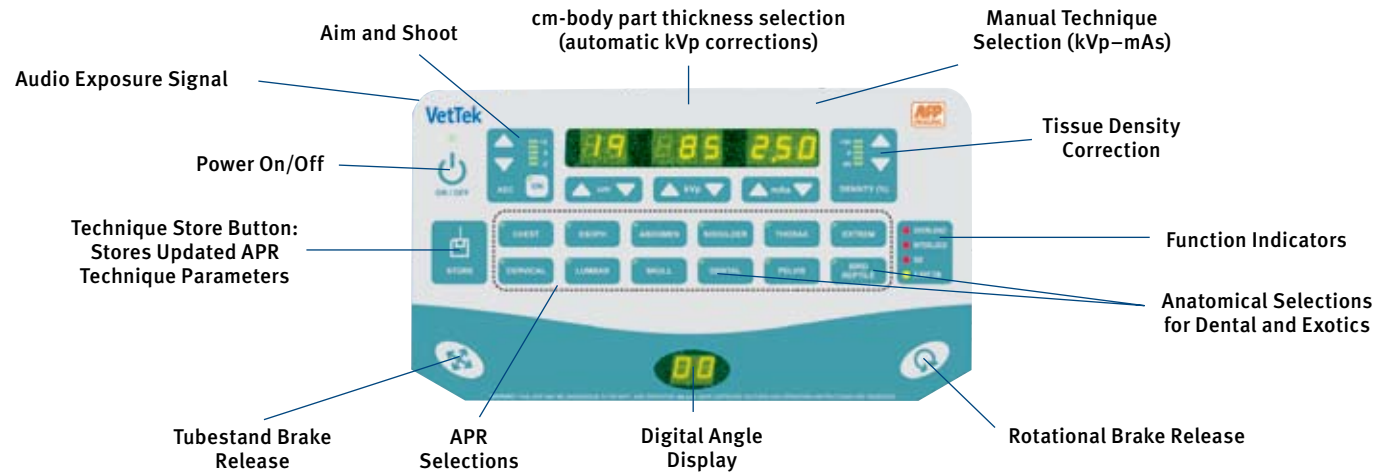
Imaging Solutions for any Size Patient and any Size Budget.



High Frequency Generators

The High Frequency generators used with all of the VetTek tables help minimize the size of the transformer. The control of the generator is more effective, and more precise. This gives better finger-tip access to the control panel, which can make the control a better fit with your applications. The high frequency generators (20, 30, 40 kW) operate on input power of 208-240V single phase (3-phase option available).

The VetTek Anatomical Program Console



HF Anatomical Programmed Generator Console.

The Integrated VetTek HF generator control is on the handle bar. Veterinary Anatomical Programs are standard with all new VetTek systems. The generator can be installed in the table or can be mounted separately on the wall.

Power	Max. mA	kV Range	Power Line Specs*
20 kW	300 mA @ 65kV 200mA @ 100kV	40 – 125 kV	Single-Phase 208-240V, 3-Phase 208-240V, or 3-Phase 380-400V
30 kW	400 mA @ 65kV 300 mA @100kV		
40 kW	500 mA @		
20kW SE**	200 mA @ 99kV	40-99 kV	230 V 16A

* Line and electrical requirements shall be specified when the generator is ordered.

** SE – Stored Energy Version



- Future field upgrades include: “aim and shoot” (AEC) and digital filmless equipment.
- Conveniently upgrades existing systems.
- All controls are located in the “work area” convenience in positioning the animal, adjusting parameters and taking exposures at one location.
- Wall mounted, self-contained compact designed generator—no floor obstructions—easy access to full work area.
- The new VetTek with the manual collimator.

One Source Total Imaging.

Console Features

- The latest in “state of the art” technological design.
- Anatomical or manual two-factor (kVp-mAs) mode operation 20, 30 or 40 kW output.
- Low power requirements — no additional transformer needed.
- Patient tissue density correction.
- Auto-calibrating program - no special test equipment required.
- Self diagnostics - easy to service with low maintenance.



The VetTek White System

The VetTek White System incorporates a four way floating top table and an integrated tubestand, which offers the flexibility of vertical and longitudinal travel. This allows for very easy and effortless patient positioning. Even large animals can be conveniently positioned for optimal exposures.

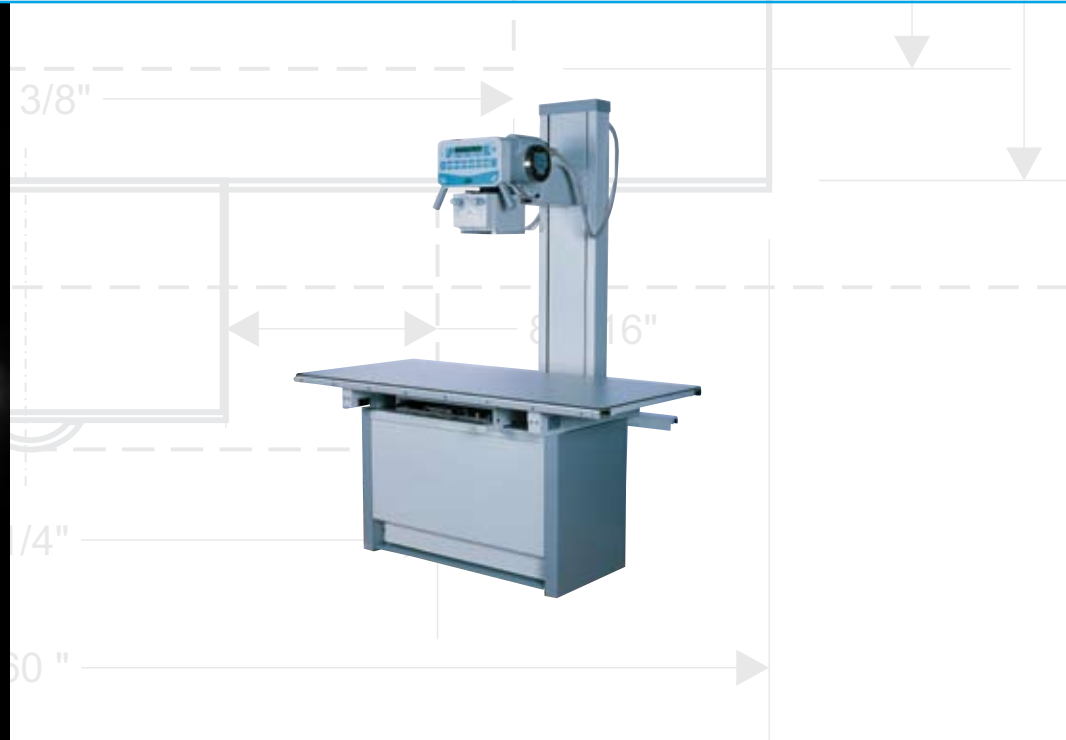
The tabletop release switch controlled by a convenient foot pedal guarantees "hands free" operation and placement of the patient before and during the examination. Tabletop side rails provide durable restraint anchors, which ensure the proper positioning and subduing of the patient during the procedure. Optional table extension offers an additional 12-24 inches (30-60cm) working area when larger animals are examined.

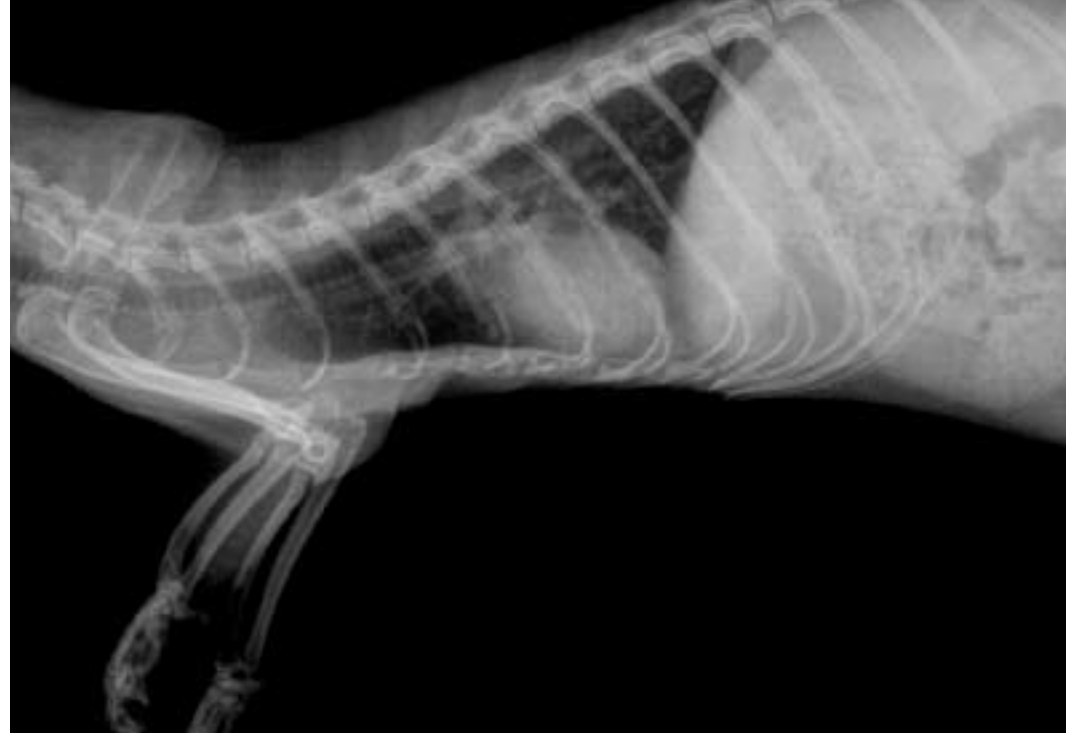
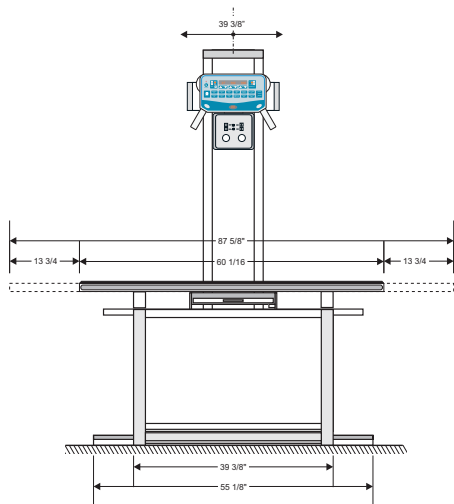
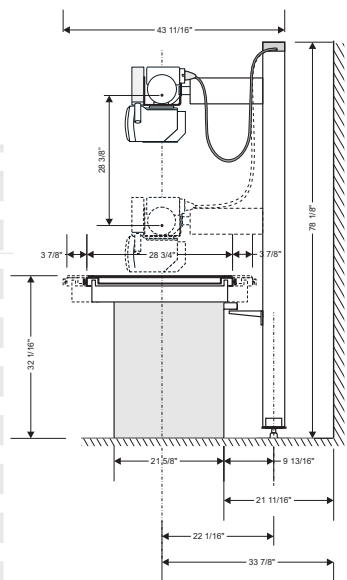
The x-ray tube freely rotates $\pm 90^\circ$ around the horizontal axis, allowing exposures from various angles. The Automatic coupling device ensures centralized and synchronized movement between the x-ray tube and the film cassette along the track of the grid cabinet.

The Easy disengaging system permits independent movement for both the x-ray tube and the film cassette holder allowing for angulated exposures.

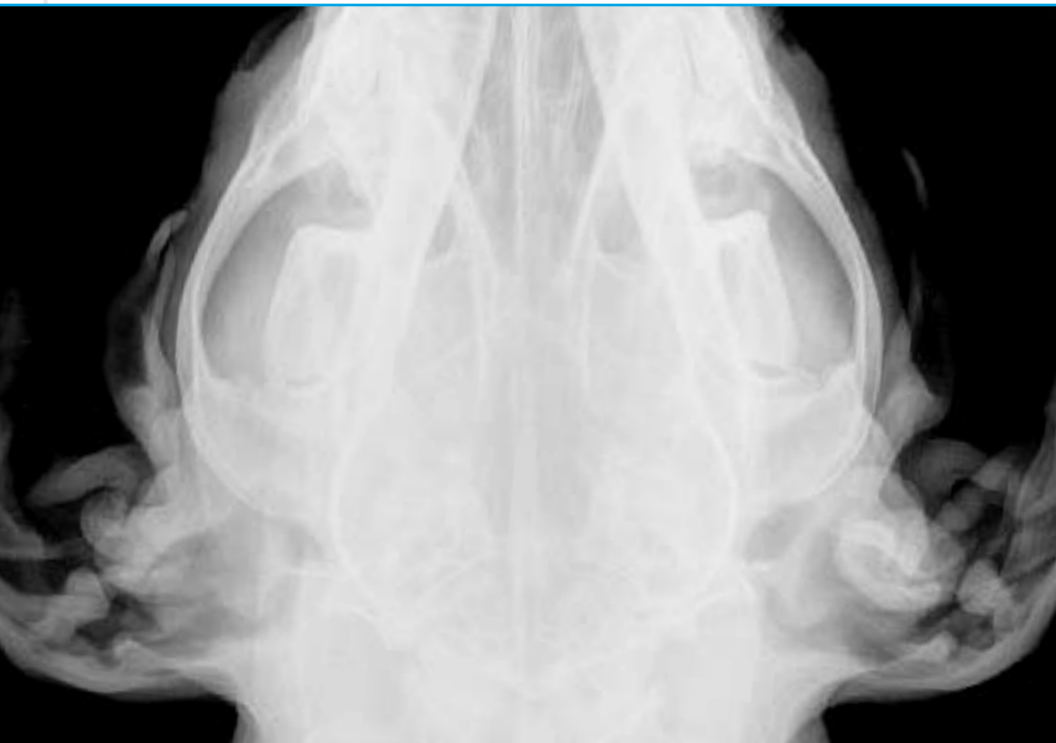
Note: The VetTek White is also available as a digital upgrade with a flat panel DR system.

VetTek White. Effortless Positioning.





Hands Free Operation.



Key Features:

4-Way Float Table and
Integrated Tubestand

Vertical and Longitudinal Travel

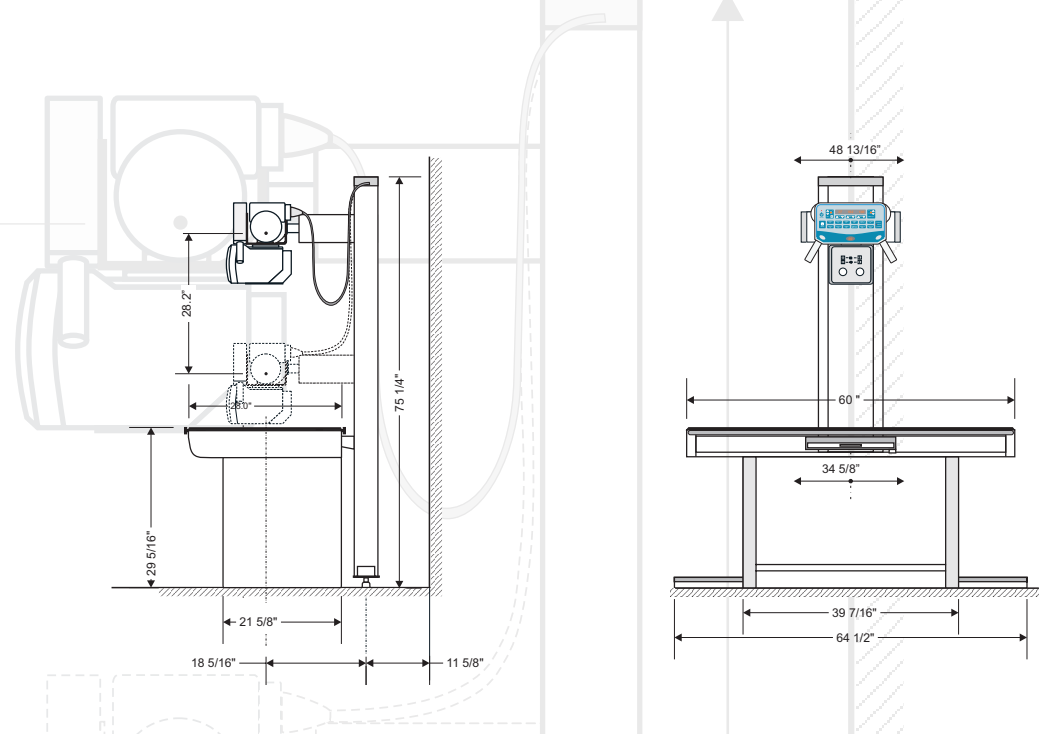
Easy, effortless positioning

Exposures from Various Angles

The VetTek Blue System

With all the features of VetTek White but with a smaller footprint, this system features an integrated veterinary tubestand and a fixed tabletop radiographic table. This compact system allows for use in the smallest of settings without sacrificing the quality of design or functionality.

This system is ideal for the smaller practice or where space is limited while still featuring the anatomical programming and high frequency generator.



VetTek Blue. Compact.

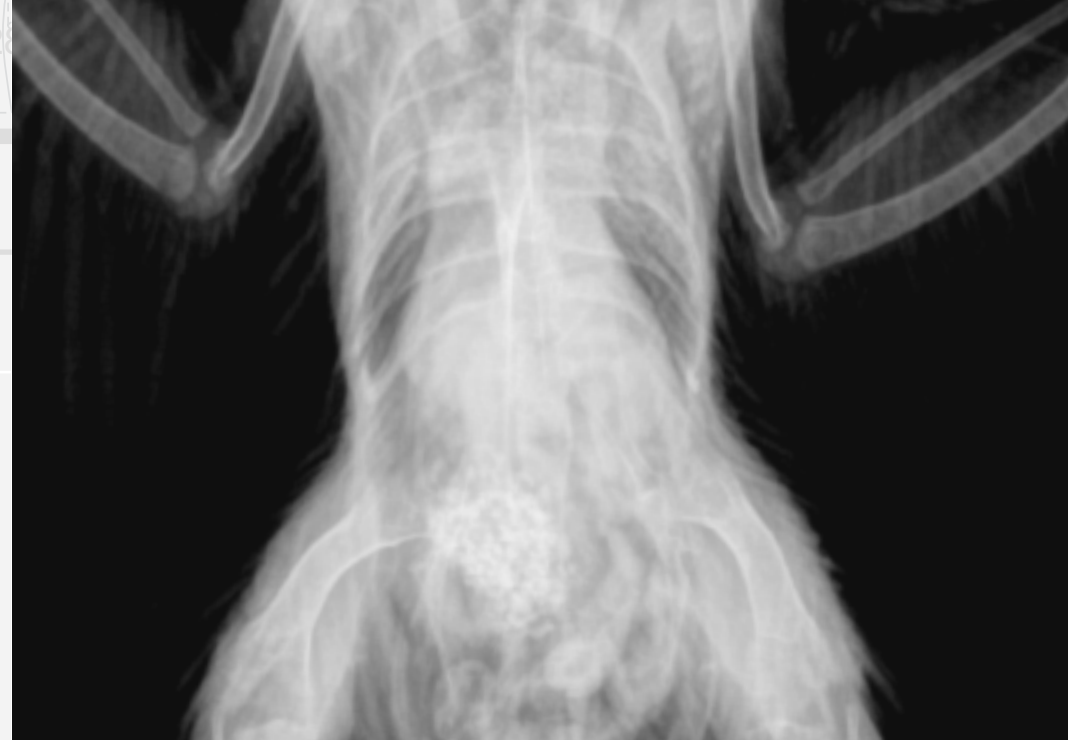
Key Features:

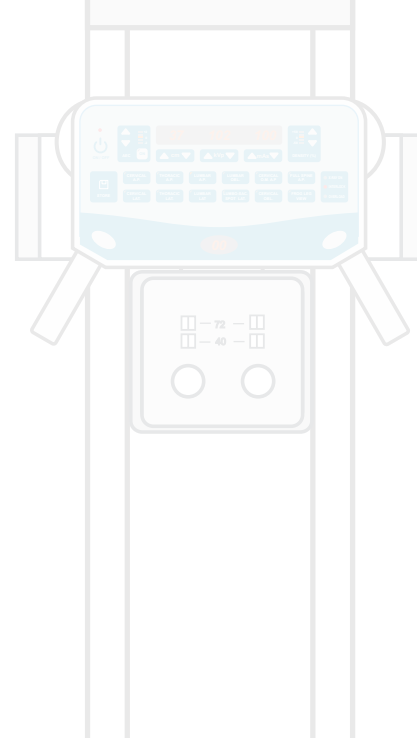
Fixed-Top Table and
Integrated Tubestand

Small Footprint

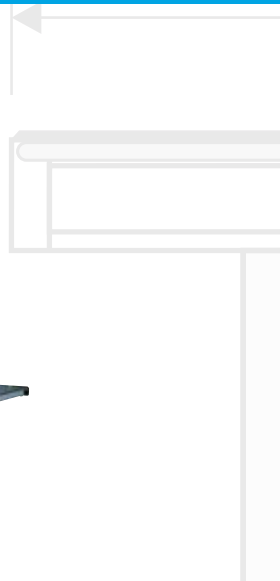
Perfect for Limited Spaces

Angulated Exposures





Easy to Use. Low Maintenance.

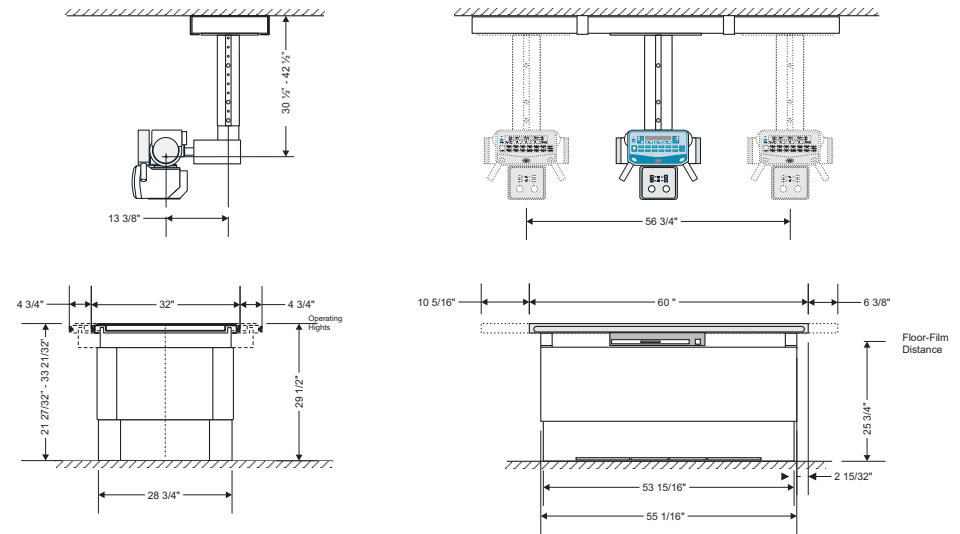


The VetTek Red System

The Red System features an elevating four-way float top table, which provides the highest flexibility, simplest patient positioning available and minimal heavy lifting.

Combine it with the ceiling mounted tube support for full table access from all sides, and maximum patient accessibility without floor obstruction. The tube support travels the length of the table for maximum coverage and full range of exposure.

This system is ideal for trauma situations when multiple tableside use is required. It can also be combined with the floor mounted tubestand for space saving utilization of the radiographic room, while still ensuring great flexibility of use for the patient's and practitioner's comfort.



Measurements without extending attachments

VetTek Red. Highest Flexibility.



Key Features:

Elevating 4-Way Float Table

Ceiling or Floor Mounted Tubestand

Simple Patient Positioning with Minimal Heavy Lifting

System Flexibility

Digital Options from AFP

The advent of digital imaging has created an overwhelming interest on the part of many veterinarians. AFP offers multiple choices in capturing digital images. The following are brief descriptions of three of those options.

CR – Computed Radiography – Digi-Vet CR Pro®

An image is created with the use of a phosphor plate that replaces the film cassette. The phosphor plate is placed in the cassette tray. Once the exposure is made, the plate is removed from the table and placed into a reading device that scans and digitizes the image. After the image has been digitized, the plate is then erased for reuse.

CCD – Charged-Coupled Device Radiography–Digital VetTek

Featured in the new VetTek Gold Table, Digital VetTek CCD systems utilize a digital image detector, which is energized by the x-ray beam and is then read by a special high-resolution camera. Like true DR systems, traditional x-ray cassettes are replaced and images are displayed on a computer monitor in seconds.

DR – Digital Radiography – Digi-Vet CADR

With DR, featured with the new VetTek Green table, an electronic detector is permanently mounted in the cabinet and replaces the conventional cassette and intensifying screens. After making an exposure, the detector directly

The AFP Digital Advantage.



captures the image, which is then archived and displayed on the monitor. Once the image is captured, the detector is then ready for the next view.

Clearly there are many advantages to digital imaging. For most, the ability to manipulate and share the image electronically along with elimination of the darkroom are on the top of the list of reasons to consider digital imaging.

Cost Effective Solutions

The new generation of AFP VetTek tables is perfectly designed to meet your analog or digital needs today, while being perfectly suited for any potential digital upgrade in the future.

AFP has been providing DR imaging systems for several years. With the ever-changing technology, we encourage you to call us at 800-592-6666 or visit our web site www.afpimaging.com to discuss the latest options in digital imaging.

The Total Vet Imaging Solution from AFP:

- AFP VetTek Tables
- Digital VetTek CCD/DR Table
- Digi-Vet Equine DR
- Digi-Vet CR Pro™
- EVA-Vet Dental Digital Sensors
- Image-Vet 70ACP Dental X-Ray
- Image-Vet Portable X-Ray Model 9015 and 135
- MiniMed 90 Film Processor
- DigiVet CADR

AFP VetTek™ Imaging Systems. Highest Performance.



AFP Imaging Corporation
250 Clearbrook Road
Elmsford, NY 10523 USA

800.592.6666
Fax - 914.592.6148
www.afpimaging.com